

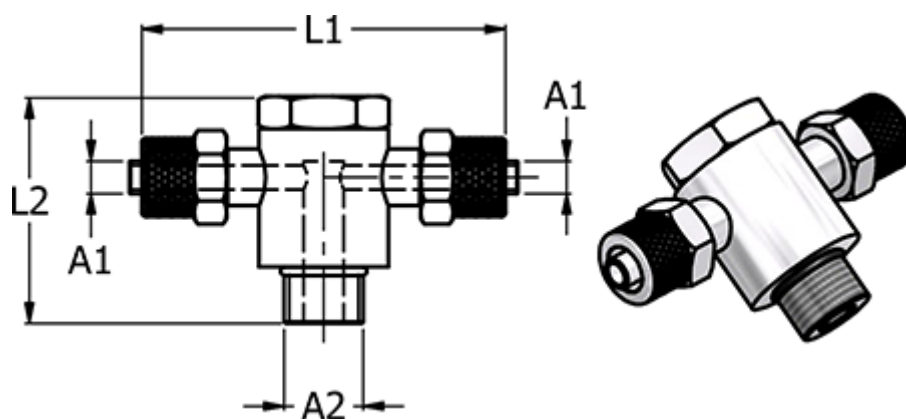
# Data Sheet



Article number: 586142386

Description: Push-on fitting 14.238-6, metal  $\text{Ø}6/4\text{-G } 3/8\text{'-Ø}6/4$   
Banjo Tee

## Measures



Hose diameter A1	= 6/4
L1	= 53.6
L2	= 36.0
NV	= 19
Thread A2	= G 3/8"